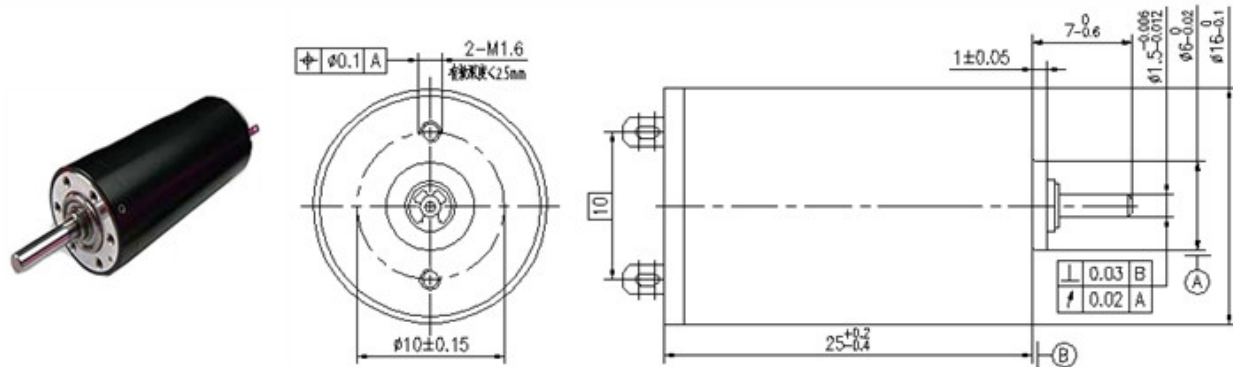


DC coreless motor 16mm / 直流空心杯馬達 16mm

Ø16mm, precious metal brushes/Ø16mm, 貴金屬電刷

Typical Applications Laser Swinger, Dental Instrument
 Medical Equipment, Offset Printing Machine
 典型應用 激光掃平儀, 牙科設備, 醫療設備, 膠印機

Outline Drawing/外形圖



1625 Series / 1625系列		Model/型號	001	002	003	004	005	006	007
Motor data (25°C)/ 運行參數 (25°C)									
1 Assigned power/標稱功率	W		0.8	0.8	1.3	0.8	1.3	0.8	1.2
2 Nominal voltage/額定電壓	Volt		3	4.5	6	6	9	9	12
3 Terminal resistance/端電阻 ±15%	Ohm		0.95	4.35	5.05	8.00	10.3	17.2	26
4 No-Load speed/空載轉速 ±12%	rpm		10,900	8,800	10,100	8,590	10,600	8,480	10,400
5 No-Load current/空載電流 ≤150%	mA		52.0	19.8	16.3	12.8	13.50	8.40	8.7
6 Speed constant/速度常數	rpm/V		3,633	1,956	1,683	1,432	1,178	942	867
7 Torque constant/轉矩常數	mNm/A		2.59	4.79	5.60	6.56	7.99	9.98	10.82
8 Starting current/啟動電流	mA		3,158	1,034	1,188	750	874	523	462
9 Stall torque/堵轉轉矩	mNm		8.17	4.96	6.65	4.92	6.98	5.22	4.99
10 Mechanical time constant/機械時間常數	ms		12	10	17	17	14	12	14.5
11 Rotor inertia/轉動慣量	gcm ²		0.825	0.533	1.040	0.924	0.868	0.704	0.653
12 Max. efficiency/最大效率	%		76	74	78	76	77	76	74
Limits for continuous operating/電機連續運行區域上限									
1 Max. continuous current/最大連續工作電流	mA		394	240	297	187	190	120	141
2 Max. continuous torque/最大連續工作轉矩	mNm		1.02	1.15	1.66	1.23	1.52	1.20	1.53
3 Nominal speed/最大連續工作電流下的轉速	rpm		9,540	6,758	7,575	6,448	8,295	6,535	7,223
4 Max. continuous power 最大連續輸出功率	W		1.02	0.814	1.32	0.828	1.317	0.819	1.15

Additional information/其它相關信息

- Axial play (measured at 4N axial force)/軸向間隙 (沿軸向施加4N力時的間隙) 0.05~0.15 mm
- Max. sleeve bearing loads/滑動軸承最大載荷
 - Axial (dynamic)/軸向(動態) 0.8N
 - Radial (4 mm from jamming ring)/徑向 (卡簧外4mm) 1.4 N
 - Force for press-fits (static)/最大允許安裝力(靜態) 15N
- Max. radial play sleeve bearing/滑動軸承最大徑向間隙 0.02 mm
- Ambient temperature range/環境溫度範圍 -20~+65°C
- Max. rotor temperature/轉子承受最高溫度 +85°C
- Weight of motor/電機重量 19g
- Options: gearbox/其它可選項: 減速器



Z. X. D TECHNOLOGY CO., LTD

Add: Shuibian Industrial Area, Hengli Town, Dongguan City, China

Tel: 86-769-82927257, ext: 611, 613

Website: <http://www.zxd-motor.com>

Fax: 86-769-82927259

Email: jeff@zxd-motor.com