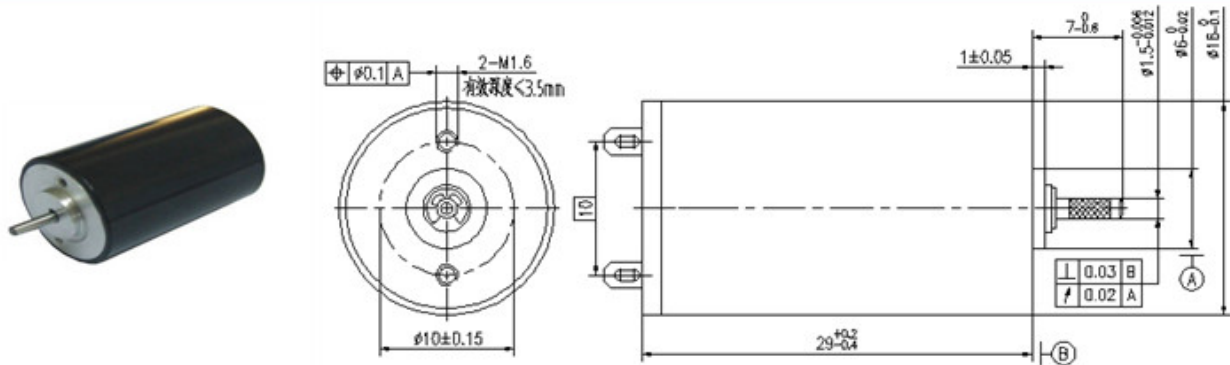


# DC coreless motor 16mm / 直流空心杯馬達 16mm

Ø16mm, precious metal brushes/Ø16mm, 貴金屬電刷

**Typical Applications** Laser Swinger, Dental Instrument  
**Medical Equipment, Offset Printing Machine**  
**典型應用** 激光掃平儀, 牙科設備, 醫療設備, 膠印機

## Outline Drawing/外形圖



1630 Series / 1630系列	Model/型號	001	002	003	004	005	006	007
----------------------	----------	-----	-----	-----	-----	-----	-----	-----

### Motor data (25°C)/ 運行參數 (25°C)

1 Assigned power/標稱功率	W	1.4	1.4	1.7	1.4			
2 Nominal voltage/額定電壓	Volt	3	6	9	12			
3 Terminal resistance/端電阻	±15% Ohm	0.932	4.44	8.73	18.40			
4 No-Load speed/空載轉速	±12% rpm	10,200	10,300	10,600	10,200			
5 No-Load current/空載電流	≤150% mA	45.0	20.2	15.2	8.1			
6 Speed constant/速度常數	rpm/V	3,400	1,717	1,178	850			
7 Torque constant/轉矩常數	mNm/A	2.77	5.48	7.99	11.10			
8 Starting current/啟動電流	mA	3,219	1,351	1,031	652			
9 Stall torque/堵轉轉矩	mNm	8.92	7.41	8.24	7.24			
10 Mechanical time constant/機械時間常數	ms	16	11	18	16			
11 Rotor inertia/轉動慣量	gcm <sup>2</sup>	1.300	0.774	1.330	1.100			
12 Max. efficiency/最大效率	%	78	77	77	79			

### Limits for continuous operating/电机连续运行区域上限

1 Max. continuous current/最大連續工作電流	mA	580	310	257	163			
2 Max. continuous torque/最大連續工作轉矩	mNm	1.61	1.70	2.05	1.81			
3 Nominal speed/最大連續工作電流下的轉速	rpm	8,362	7,937	7,958	7,651			
4 Max. continuous power 最大連續輸出功率	W	1.41	1.412	1.71	1.449			

### Additional information/其它相關信息

- Axial play (measured at 4N axial force)/軸向間隙 (沿軸向施加4N力時的間隙) 0.05~0.15 mm
- Max. sleeve bearing loads/滑動軸承最大載荷
  - Axial (dynamic)/軸向(動態) 0.8N
  - Radial (4 mm from jamming ring)/徑向 (卡簧外4mm) 1.4 N
  - Force for press-fits (static)/最大允許安裝力(靜態) 15N
- Max. radial play sleeve bearing/滑動軸承最大徑向間隙 0.02 mm
- Ambient temperature range/環境溫度範圍 -20~+65°C
- Max. rotor temperature/轉子承受最高溫度 +85°C
- Weight of motor/電機重量 22g
- Options: gearbox/其它可選項: 減速器



## Z. X. D TECHNOLOGY CO., LTD

Add: Shuibian Industrial Area, Hengli Town, Dongguan City, China

Tel: 86-769-82927257, ext: 611, 613

Website: <http://www.zxd-motor.com>

Fax: 86-769-82927259

Email: [jeff@zxd-motor.com](mailto:jeff@zxd-motor.com)