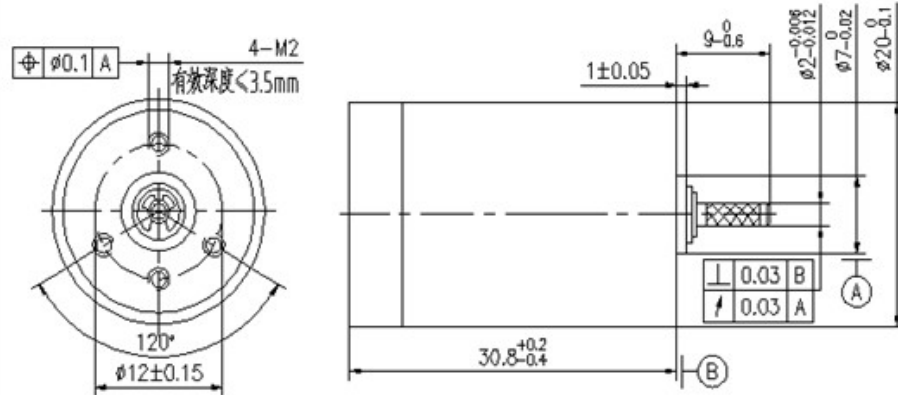


DC coreless motor 20mm/直流空心杯馬達 20mm

Ø20mm, precious metal brushes/Ø20mm, 貴金貴電刷

Typical Applications Laser Swinger, Dental Instrument
Medical Equipment, Offset Printing Machine
典型應用 激光掃平儀, 牙科設備, 醫療設備, 膠印機

Outline Drawing/外形圖



2030 Series / 2030系列

Motor data (25°C)/運行參數 (25°C)

	Model/型號	001	002	003	004	005	006	007
1 Assigned power/標稱功率	W	1.6	1.6	1.6				
2 Nominal voltage/額定電壓	Volt	3	6	9				
3 Terminal resistance/端電阻	±15% Ohm	0.655	3.91	8.09				
4 No-Load speed/空載轉速	±12% rpm	8,500	8,200	8,370				
5 No-Load current/空載電流	≤150% mA	60.2	19.0	19.5				
6 Speed constant/速度常數	rpm/V	2,833	1,367	930				
7 Torque constant/轉矩常數	mNm/A	3.33	6.90	10.09				
8 Starting current/啟動電流	mA	4,580	1,535	1,112				
9 Stall torque/堵轉轉矩	mNm	15.24	10.59	11.23				
10 Mechanical time constant/機械時間常數	ms	18	26	20				
11 Rotor inertia/轉動慣量	gcm ²	3.070	3.120	2.480				
12 Max. efficiency/最大效率	%	78	79	75				

Limits for continuous operating/電機連續運行區域上限

1 Max. continuous current/最大連續工作電流	mA	628	352	228				
2 Max. continuous torque/最大連續工作轉矩	mNm	2.09	2.43	2.30				
3 Nominal speed/最大連續工作電流下的轉速	rpm	7,335	6,319	6,655				
4 Max. continuous power/最大連續輸出功率	W	1.60	1.607	1.60				

Additional information/其它相關信息

- Axial play (measured at 4N axial force)/軸向間隙 (沿軸向施加4N力時的間隙) 0.05~0.15 mm
- Max. sleeve bearing loads/滑動軸承最大載荷
 - Axial (dynamic)/軸向(動態) 1.0N
 - Radial (4 mm from jamming ring)/徑向 (卡簧外4mm) 2.7N
 - Force for press-fits (static)/最大允許安裝力(靜態) 80N
- Max. radial play sleeve bearing/滑動軸承最大徑向間隙 0.02 mm
- Ambient temperature range/環境溫度範圍 -20~+65°C
- Max. rotor temperature/轉子承受最高溫度 +85°C
- Weight of motor/電機重量 39g
- Options: gearbox and ball bearings/其它可選項: 減速器和滾動軸承



Z. X. D TECHNOLOGY CO., LTD

Add: Shuibian Industrial Area, Hengli Town, Dongguan City, China

Tel: 86-769-82927257, ext: 611, 613

Website: <http://www.zxd-motor.com>

Fax: 86-769-82927259

Email: jeff@zxd-motor.com