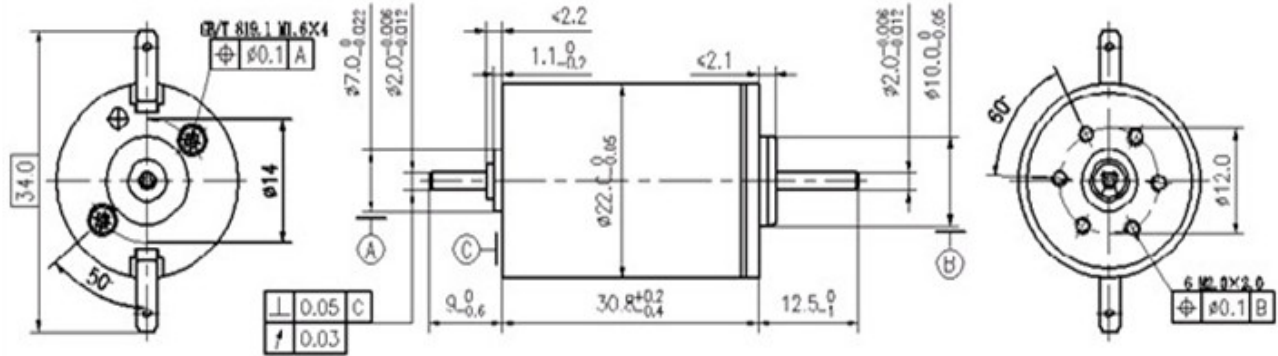


# DC coreless motor 22mm/直流空心杯馬達 22mm

Ø22mm, graphite brushes/Ø22mm, 石墨電刷

Typical Applications Survey Instrument, Coreless Power Tools  
Medical Equipment,  
測繪工具, 電動工具, 醫療設備

典型應用



## 2230 Series / 2230系列

Model/型號	6200.S	6180.S	6120.S	6070.S
----------	--------	--------	--------	--------

## Motor data (25°C)/運行參數 (25°C)

1 Assigned power/標稱功率	W	7.0	7.3	5.4	2.7
2 Nominal voltage/額定電壓	Volt	12	15	24	36
3 Terminal resistance/端電阻 ±15%	Ohm	3.78	5.31	16.8	74.60
4 No-Load speed/空載轉速 ±12%	rpm	8,240	8,300	8,450	8,450
5 No-Load current/空載電流 ≤150%	mA	36.0	30.0	16.0	5.0
6 Speed constant/速度常數	rpm/V	687	553	352	235
7 Torque constant/轉矩常數	mNm/A	13.76	17.08	26.83	40.28
8 Starting current/啟動電流	mA	3,175	2,825	1,429	483
9 Stall torque/堵轉轉矩	mNm	43.67	48.26	38.33	19.44
10 Mechanical time constant/機械時間常數	ms	10	9	10	20
11 Rotor inertia/轉動慣量	gcm <sup>2</sup>	5.200	4.930	4.240	4.280
12 Max. efficiency/最大效率	%	80	80	80	81

## Limits for continuous operating/電機連續運行區域上限

1 Max. continuous current/最大連續工作電流	mA	785	635	282	96
2 Max. continuous torque/最大連續工作轉矩	mNm	10.80	10.85	7.57	3.87
3 Nominal speed/最大連續工作電流下的轉速	rpm	6,202	6,434	6,782	6,769
4 Max. continuous power 最大連續輸出功率	W	7.01	7.305	5.37	2.740

## Additional information/其它相關信息

- Axial play (measured at 4N axial force)/軸向間隙 (沿軸向施加4N力時的間隙) 0.05~0.15 mm
- Max. sleeve bearing loads/滑動軸承最大載荷
  - Axial (dynamic)/軸向(動態) 1.0N
  - Radial (4 mm from jamming ring)/徑向 (卡簧外4mm) 2.7N
  - Force for press-fits (static)/最大允許安裝力(靜態) 80N
- Max. radial play sleeve bearing/滑動軸承最大徑向間隙 0.02 mm
- Ambient temperature range/環境溫度範圍 -20~+65°C
- Max. rotor temperature/轉子承受最高溫度 +85°C
- Weight of motor/電機重量 56g
- Options: gearbox, encoder and ball bearings/其它可選項: 減速器、編碼器和滾動軸承



## Z. X. D TECHNOLOGY CO., LTD

Add: Shuibian Industrial Area, Hengli Town, Dongguan City, China  
Tel: 86-769-82927257, ext: 611, 613  
Website: <http://www.zxd-motor.com>

Fax: 86-769-82927259  
Email: [jeff@zxd-motor.com](mailto:jeff@zxd-motor.com)