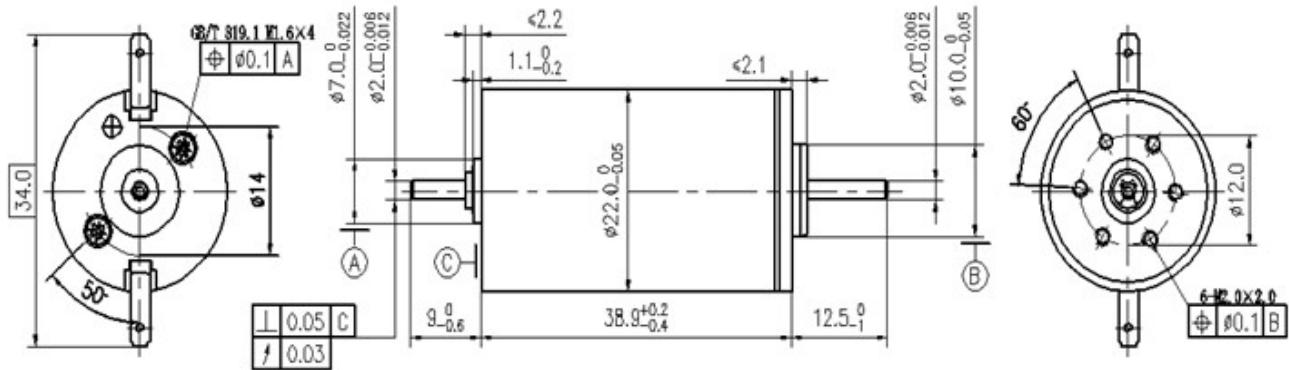


DC coreless motor 22mm 直流空心杯馬達 22mm

Ø22mm, graphite brushes/Ø22mm, 石墨電刷

Typical Applications Survey Instrument, Coreless Power Tools
 Medical Equipment,
 典型應用 測繪工具, 電動工具, 醫療設備



2238 Series / 2238系列

Model/型號	7140.S						
----------	--------	--	--	--	--	--	--

Motor data (25°C) / 運行參數 (25°C)

1 Assigned power/標稱功率	W	9.5					
2 Nominal voltage/額定電壓	Volt	30					
3 Terminal resistance/端電阻 ±15%	Ohm	13.2					
4 No-Load speed/空載轉速 ±12%	rpm	8,350					
5 No-Load current/空載電流 ≤150%	mA	17.0					
6 Speed constant/速度常數	rpm/V	278					
7 Torque constant/轉矩常數	mNm/A	34.07					
8 Starting current/啟動電流	mA	2,273					
9 Stall torque/堵轉轉矩	mNm	77.43					
10 Mechanical time constant/機械時間常數	ms	7					
11 Rotor inertia/轉動慣量	gcm ²	6.220					
12 Max. efficiency/最大效率	%	83					

Limits for continuous operating/電機連續運行區域上限

1 Max. continuous current/最大連續工作電流	mA	384					
2 Max. continuous torque/最大連續工作轉矩	mNm	13.08					
3 Nominal speed/最大連續工作電流下的轉速	rpm	6,939					
4 Max. continuous power 最大連續輸出功率	W	9.50					

Additional information/其它相關信息

- Axial play (measured at 4N axial force)/軸向間隙 (沿軸向施加4N力時的間隙) 0.05~0.15 mm
- Max. sleeve bearing loads/滑動軸承最大載荷
 - Axial (dynamic)/軸向(動態) 1.0N
 - Radial (4 mm from jamming ring)/徑向 (卡簧外4mm) 2.7N
 - Force for press-fits (static)/最大允許安裝力(靜態) 80N
- Max. radial play sleeve bearing/滑動軸承最大徑向間隙 0.02 mm
- Ambient temperature range/環境溫度範圍 -20~+65°C
- Max. rotor temperature/轉子承受最高溫度 +85°C
- Weight of motor/電機重量 68g
- Options: gearbox, encoder and ball bearings/其它可選項: 減速器、編碼器和滾動軸承



Z. X. D TECHNOLOGY CO., LTD

Add: Shuibian Industrial Area, Hengli Town, Dongguan City, China

Tel: 86-769-82927257, ext: 611, 613

Website: <http://www.zxd-motor.com>

Fax: 86-769-82927259

Email: jeff@zxd-motor.com