

DC coreless motor 22mm 直流空心杯馬達 22mm

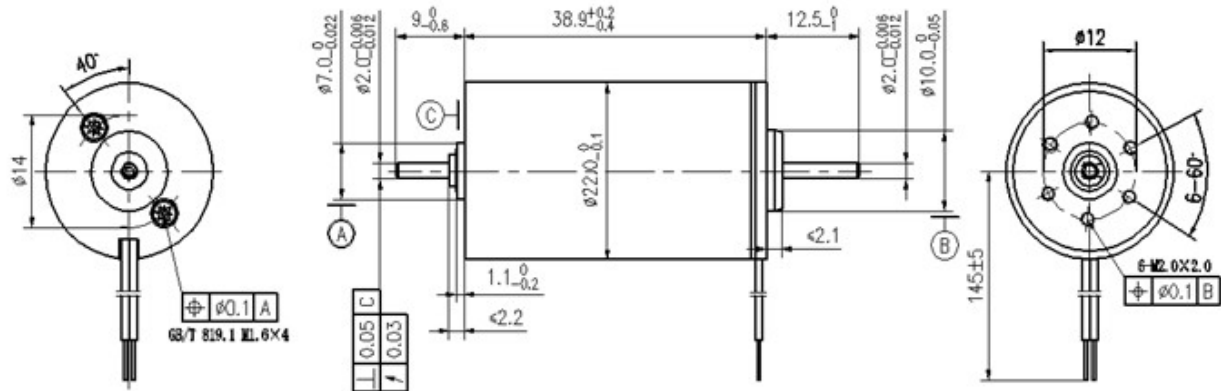
Ø22mm, graphite brushes/Ø22mm, 石墨電刷

Typical Applications Survey Instrument, Coreless Power Tools

Medical Equipment,

典型應用

測繪工具, 電動工具, 醫療設備



2238 Series / 2238系列	Model/型號	7140.T						
----------------------	----------	--------	--	--	--	--	--	--

Motor data (25°C) / 運行參數 (25°C)

1 Assigned power/標稱功率	W	9.5						
2 Nominal voltage/額定電壓	Volt	30						
3 Terminal resistance/端電阻 $\pm 15\%$	Ohm	13.2						
4 No-Load speed/空載轉速 $\pm 12\%$	rpm	8,350						
5 No-Load current/空載電流 $\leq 150\%$	mA	17.0						
6 Speed constant/速度常數	rpm/V	278						
7 Torque constant/轉矩常數	mNm/A	34.07						
8 Starting current/啟動電流	mA	2,273						
9 Stall torque/堵轉轉矩	mNm	77.43						
10 Mechanical time constant/機械時間常數	ms	7						
11 Rotor inertia/轉動慣量	gcm ²	6.220						
12 Max. efficiency/最大效率	%	83						

Limits for continuous operating/電機運行區域上限

1 Max. continuous current/最大連續工作電流	mA	384						
2 Max. continuous torque/最大連續工作轉矩	mNm	13.08						
3 Nominal speed/最大連續工作電流下的轉速	rpm	6,939						
4 Max. continuous power/最大連續輸出功率	W	9.50						

Additional information/其它相關信息

● Axial play (measured at 4N axial force)/軸向間隙 (沿軸向施加4N力時的間隙)	0.05~0.15 mm
● Max. sleeve bearing loads/滑動軸承最大載荷	
Axial (dynamic)/軸向(動態)	1.0N
Radial (4 mm from jamming ring)/徑向 (卡簧外4mm)	2.7N
Force for press-fits (static)/最大允許安裝力(靜態)	80N
● Max. radial play sleeve bearing/滑動軸承最大徑向間隙	0.02 mm
● Ambient temperature range/環境溫度範圍	-20~+65°C
● Max. rotor temperature/轉子承受最高溫度	+85°C
● Weight of motor/電機重量	68g
● Options: gearbox, encoder and ball bearings/其它可選項: 減速器、編碼器和滾動軸承	



Z. X. D TECHNOLOGY CO., LTD

Add: Shuibian Industrial Area, Hengli Town, Dongguan City, China

Tel: 86-769-82927257, ext: 611, 613

Fax: 86-769-82927259

Website: <http://www.zxd-motor.com>

Email: jeff@zxd-motor.com