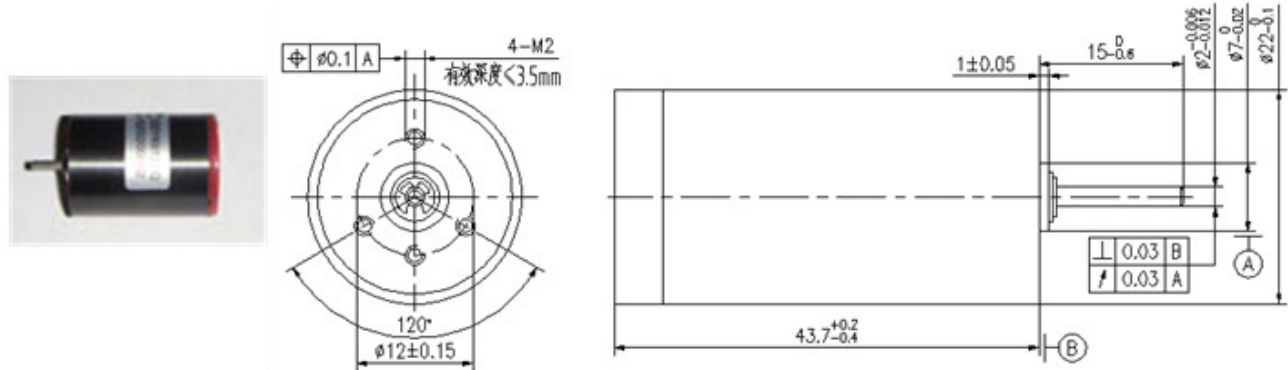


# DC coreless motor 22mm/直流空心杯馬達 22mm

Ø22mm, precious metal brushes/Ø22mm, 貴金屬電刷

**Typical Applications** Survey Instrument, Coreless Power Tools  
**Medical Equipment,**  
**測繪工具, 電動工具, 醫療設備**

典型應用



2243 Series / 2243系列	Model/型號	001	002	003	004	005	006	007
----------------------	----------	-----	-----	-----	-----	-----	-----	-----

## Motor data (25°C)/運行參數 (25°C)

1 Assigned power/標稱功率	W	4.0	4.0	6.0	8.0			
2 Nominal voltage/額定電壓	Volt	9	12	18	24			
3 Terminal resistance/端電阻 ±15%	Ohm	1.33	2.2	6.25	9.05			
4 No-Load speed/空載轉速 ±12%	rpm	8,040	8,080	8,120	8,180			
5 No-Load current/空載電流 ≤150%	mA	38.2	22.7	12.5	13.3			
6 Speed constant/速度常數	rpm/V	893	673	451	341			
7 Torque constant/轉矩常數	mNm/A	10.63	14.13	21.09	27.89			
8 Starting current/啟動電流	mA	6,767	5,455	2,880	2,652			
9 Stall torque/堵轉轉矩	mNm	71.96	77.07	60.73	73.97			
10 Mechanical time constant/機械時間常數	ms	5	9	10	7			
11 Rotor inertia/轉動慣量	gcm <sup>2</sup>	4.590	8.190	6.940	6.340			
12 Max. efficiency/最大效率	%	86	88	87	86			

## Limits for continuous operating/電機運行區域上限

1 Max. continuous current/最大連續工作電流	mA	481	358	387	394			
2 Max. continuous torque/最大連續工作轉矩	mNm	5.12	5.06	8.16	10.99			
3 Nominal speed/最大連續工作電流下的轉速	rpm	7,469	7,550	7,029	6,965			
4 Max. continuous power/最大連續輸出功率	W	4.00	3.997	6.00	8.011			

## Additional information/其它相關信息

- Axial play (measured at 4N axial force)/軸向間隙 (沿軸向施加4N力時的間隙) 0.05~0.15 mm
- Max. sleeve bearing loads/滑動軸承最大載荷
  - Axial (dynamic)/軸向(動態) 1.0N
  - Radial (4 mm from jamming ring)/徑向 (卡簧外4mm) 2.7N
  - Force for press-fits (static)/最大允許安裝力(靜態) 80N
- Max. radial play sleeve bearing/滑動軸承最大徑向間隙 0.02 mm
- Ambient temperature range/環境溫度範圍 -20~+65°C
- Max. rotor temperature/轉子承受最高溫度 +85°C
- Weight of motor/電機重量 70g
- Options: gearbox and ball bearings/其它可選項: 減速器和滾動軸承



## Z. X. D TECHNOLOGY CO., LTD

Add: Shuibian Industrial Area, Hengli Town, Dongguan City, China

Tel: 86-769-82927257, ext: 611, 613

Website: <http://www.zxd-motor.com>

Fax: 86-769-82927259

Email: [jeff@zxd-motor.com](mailto:jeff@zxd-motor.com)