

DC coreless motor 28mm/直流空心杯馬達 28mm

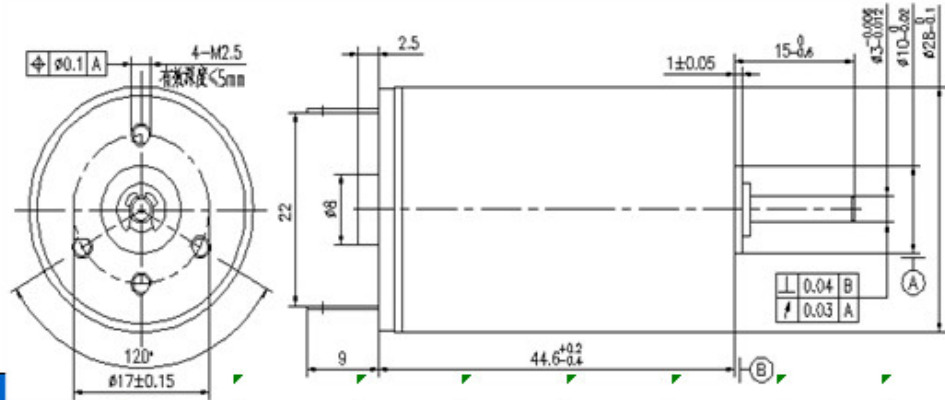
Ø28mm, precious metal brushes/Ø28mm,貴金屬電刷

Typical Applications Survey Instrument, Coreless Power Tools

Medical Equipment,

典型應用

測繪工具, 電動工具, 醫療設備



2844 Series / 2844系列

Motor data (25°C)/運行參數 (25°C)

1 Assigned power/標稱功率	W	6.0	8.6	11.0	11.0		
2 Nominal voltage/額定電壓	Volt	12	18	24	36		
3 Terminal resistance/端電阻	±15% Ohm	1.67	4.12	6.68	15.30		
4 No-Load speed/空載轉速	±12% rpm	6,020	6,040	6,040	5,870		
5 No-Load current/空載電流	≤150% mA	40.0	20.0	17.1	11.3		
6 Speed constant/速度常數	rpm/V	502	336	252	163		
7 Torque constant/轉矩常數	mNm/A	18.94	28.34	37.78	58.31		
8 Starting current/啟動電流	mA	7,186	4,369	3,593	2,353		
9 Stall torque/堵轉轉矩	mNm	136.09	123.83	135.75	137.21		
10 Mechanical time constant/機械時間常數	ms	5	9	8	6		
11 Rotor inertia/轉動慣量	gcm ²	11.200	18.400	17.600	13.200		
12 Max. efficiency/最大效率	%	86	87	87	87		

Limits for continuous operating/電機連續運行區域上限

1 Max. continuous current/最大連續工作電流	mA	544	547	543	364		
2 Max. continuous torque/最大連續工作轉矩	mNm	10.30	15.50	20.52	21.23		
3 Nominal speed/最大連續工作電流下的轉速	rpm	5,564	5,284	5,127	4,962		
4 Max. continuous power 最大連續輸出功率	W	6.00	8.574	11.01	11.024		

Additional information/其它相關信息

- Axial play (measured at 4N axial force)/軸向間隙 (沿軸向施加4N力時的間隙) 0.05~0.15 mm
- Max. sleeve bearing loads/滑動軸承最大載荷
 - Axial (dynamic)/軸向(動態) 1.7N
 - Radial (4 mm from jamming ring)/徑向 (卡簧外4mm) 5.5N
 - Force for press-fits (static)/最大允許安裝力(靜態) 80N
- Max. radial play sleeve bearing/滑動軸承最大徑向間隙 0.02 mm
- Ambient temperature range/環境溫度範圍 -20~+65°C
- Max. rotor temperature/轉子承受最高溫度 +85°C
- Weight of motor/電機重量 124g
- Options: gearbox and ball bearings/其它可選項: 減速器和滾動軸承



Z. X. D TECHNOLOGY CO., LTD

Add: No 8, South 2nd Road Xinfu, Xinqiao, Shajing Town, Shenzhen City, China

Tel: 86-755-33509305-802

Fax: 86-755-23086306

Website: <http://www.zxd-motor.com>

Email: jeff@zxd-motor.com