

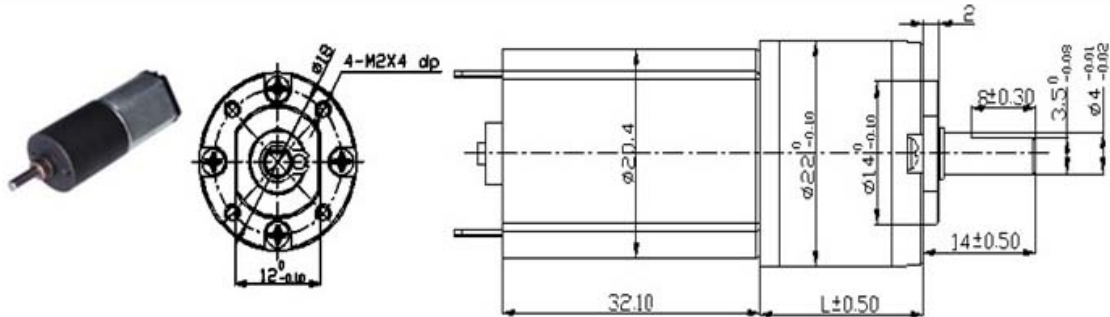
# DC Planetary Gear Motor FF-22Z180 / 直流行星减速电机FF-22Z180

**Typical Applications** Optical equipment, Monitoring cameras,  
Fingerprint lock, Water IC card,  
Toys and gifts, Office equipment,  
Household appliance,  
Automatic actuator, etc.

## 典型應用

光學設備, 監控攝像機, 指紋鎖  
智能水卡, 辦公設備, 家用電器  
自動鎖

## Outline Drawing/外形圖



## FF-22Z180 Series /FF-22Z180 系列

### Motor data (25°C)/ 運行參數 (25°C)

減速比 Reduction ratio	1/4	1/14	1/19	1/27	1/51	1/71	1/100	1/139	1/189	1/264	1/369	1/516	1/720		
12.0V 空載轉速 (rpm) No load speed	2000	571	421	295	155	112	80	57	42	30	21	15	10		
定額扭力 (kg-cm) Rate torque	0.07	0.21	0.30	0.5	0.8	1.1	1.5	2.2	2.7	3.5	4.0	5.0	5.0		
定額轉速 (rpm) Rate speed	1497	470	348	245	130	94	67	48	35	25	18	13	10.0		
24.0V 空載轉速 (rpm) No load speed	2250	642	473	330	175	125	90	65	48	34	24	17	12.5		
定額扭力 (kg-cm) Rate torque	0.07	0.21	0.30	0.5	0.8	1.1	1.5	2.2	2.7	3.5	4.0	5.0	5.0		
定額轉速 (rpm) Rate speed	1650	518	384	270	145	104	74	52	38	28	20	14	10		
空載轉速 (rpm) No load speed															
定額扭力 (kg-cm) Rate torque															
定額轉速 (rpm) Rate speed															

### GEAR MOTOR TORQUE/SPEED:

定額電壓 Rated volt (V)	定額扭力 Rated torque (g-cm)	定額回轉速 Rated speed (rpm)	定額電流 Rated current (mA)	無負荷回轉數 No load speed (rpm)	無負荷電流 No load current (mA)	定額出力 Rated output (w)	重量 Weight (g)
12.0	/	6700	≤200	8000	≤70	1.5	32.0
24.0		7400	≤110	9000	≤40	1.7	32.0

### Additional information/其它相關信息

- Motor parameters can be made according to the request of customer/馬達參數可根據客人要求制作



## Z. X. D Technology Company Limited

Add: Shuibian Industrial Area, Hengli Town, Dongguan City, China

Tel: 86-769-82927257, ext: 611, 613

Website: <http://www.zxd-motor.com>

Fax: 86-769-82927259

Email: [jeff@zxd-motor.com](mailto:jeff@zxd-motor.com)