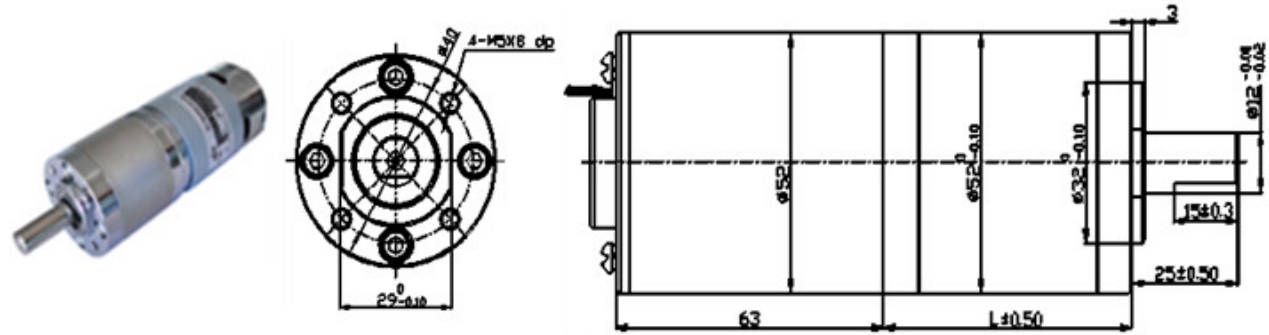


DC Planetary Gear Motor FF-52ZD52 / 直流行星減速電機FF-52ZD52

Typical Applications Auto shutter, Money detector, Coin refund devices,
Pan/Tilt camera, Solt machine, Currency count machine
House appliances, Automatic doors, Towel dispensers
Peritoneal machine, Automatic TV rack, Automatic actuator,
Office equipment, etc.

Outline Drawing/外形圖



FF-52ZD52 Series / FF-52ZD52系列

Motor data (25°C) / 運行參數 (25°C)

額定電壓 Rated volt(V)	額定扭力 Rated torque (g-cm)	額定轉速 Rated speed (rpm)	額定電流 Rated current (mA)	空載轉速 No load speed (rpm)	空載電流 No load current (mA)	額定功率 Rated output (w)	重量 Weight (g)
12	1200	2700	≈4100	3600	≈700	32	580
24	1200	2700	≈2000	3600	≈400	32	580

GEAR MOTOR TORQUE/SPEED:

Reduction ratio		1/3.7	1/5.2	1/13.7	1/19.2	1/26.9	1/50.9	1/71.2	1/99.5	1/139	1/188	1/264	1/369	1/516	1/721	1/699	1/977	1/1367	1/1911	1/2672	1/3736
12V	Rated torque (Kgf.cm)	4.0	5.62	13.3	18.7	26.1	44.6	62.4	87	120	120	120	120	120	120	120	120	120	120	120	120
	Rated speed (r/min)	730	519	197	141	100	53	38	27	19.4	14.4	10.2	7.4	5.3	3.8	3.9	2.8	2.0	1.5	1.1	0.8
24V	Rated torque (Kgf.cm)	4.0	5.62	13.3	18.7	26.1	44.6	62.4	80	80	80	80	80	80	80	80	80	80	80	80	80
	Rated speed (r/min)	730	519	197	141	100	53	38	27	19.4	14.4	10.2	7.4	5.3	3.8	3.9	2.8	2.0	1.5	1.1	0.8
Gearbox "L" mm		35.5		47.1			50.5			70.3			81.9								

Additional information/其它相關信息

- Motor parameters can be made according to the request of customer/馬達參數可根據客人要求制作



Z. X. D Technology Company Limited

Add: Shuibian Industrial Area, Hengli Town, Dongguan City, China

Tel: 86-769-82927257, ext: 611, 613

Fax: 86-769-82927259

Website: <http://www.zxd-motor.com>

Email: jeff@zxd-motor.com