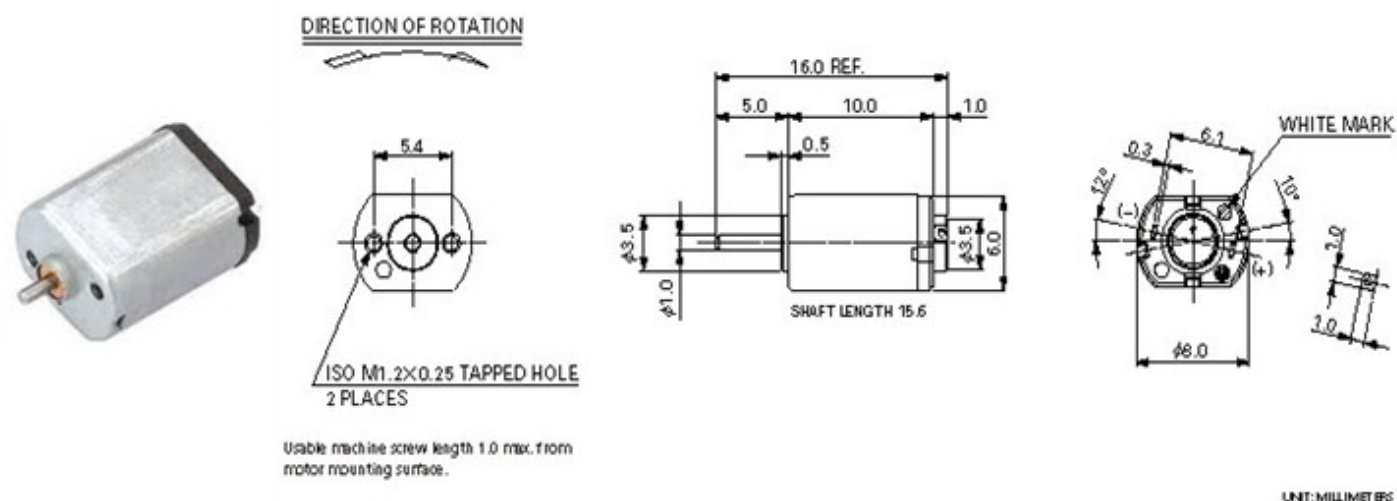


DC micro motor FF-K10 / 直流微馬達 FF-K10

Precious metal brushes/貴金屬電刷

Typical Applications Optical Instruments: Notebook/ Digital Camera
典型應用 光學設備: 手提電腦/ 数码相机

Outline Drawing/外形圖



FF-K10 Series / FF-K10 系列	Model/型號	FF-K10-5Z215		
----------------------------------	----------	--------------	--	--

Motor data (25°C) / 運行參數 (25°C)

1 Operating Voltage/工作電壓	Volt	2.5-3.5		
2 Nominal voltage/額定電壓	Volt	3		
3 No-Load speed/空載轉速	rpm	20,500		
4 No-Load current/空載電流	mA	57.0		

At max. efficiency/最大效率點

1 Current/電流	mA	120		
2 Torque/轉矩	mNm	0.06		
3 Speed/轉速	rpm	13,870		
4 Output/功率	W	0.09		

Stall/堵轉

1 Torque/轉矩	mNm	0.19		
3 Current/電流	mA	250		

Additional information/其它相關信息

- Motor parameters can be made according to the request of customer/ 馬達參數可根據客人要求制作



Z. X. D Technology Company Limited

Add: Shuibian Industrial Area, Hengli Town, Dongguan City, China

Tel: 86-769-82927257, ext: 611, 613

Website: <http://www.zxd-motor.com>

Fax: 86-769-82927259

Email: jeff@zxd-motor.com