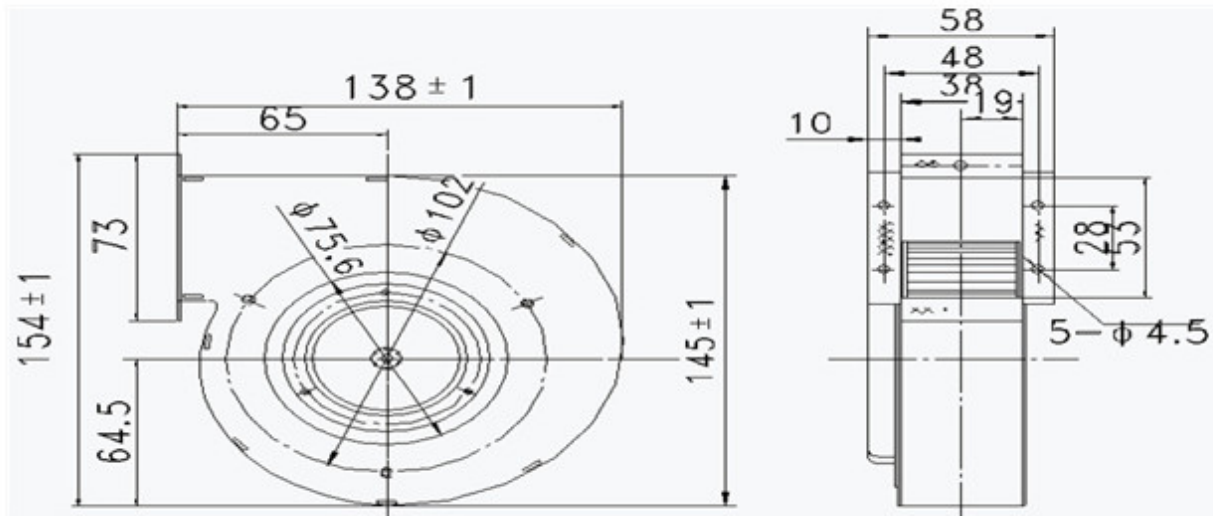


DC Permanent Magnet Motor / 直流永磁電機

Typical Applications: Water Heater, Air Cooler, etc.

典型應用 熱水器，空氣冷卻器

Outline Drawing/外形圖



HB2M Series / HB2M 系列

Model/型號

HB2M

Motor data (25°C)/ 運行參數 (25°C)

1 Rated Voltage / 額定電壓	Volt	24				
2 Operating Voltage / 工作電壓	Volt	18-28				
3 Input Current / 輸入電流	A	1.2				
4 Input Power / 輸入功率	W	28.8				
5 Speed / 轉速	RPM	2800 ± 100				
6 Air Flow / 風量	CFM	78				
7 Static Air Pressure / 靜態空氣壓力	mmH2O	72				
8 Noise Level / 噪音等級	dBA	56				

Additional information/其它相關信息

- Motor parameters can be made according to the request of customer/馬達參數可根據客人要求制作



Z. X. D Technology Company Limited

Add: Shuibian Industrial Area, Hengli Town, Dongguan City, China

Tel: 86-769-82927257, ext: 611, 613

Website: <http://www.zxd-motor.com>

Fax: 86-769-82927259

Email: jeff@zxd-motor.com