

DC micro motor RF-300 / 直流微馬達 RF-300

Precious metal brushes/貴金屬電刷

Typical Applications Optical Instrument: CD/ DVD-ROM Drive

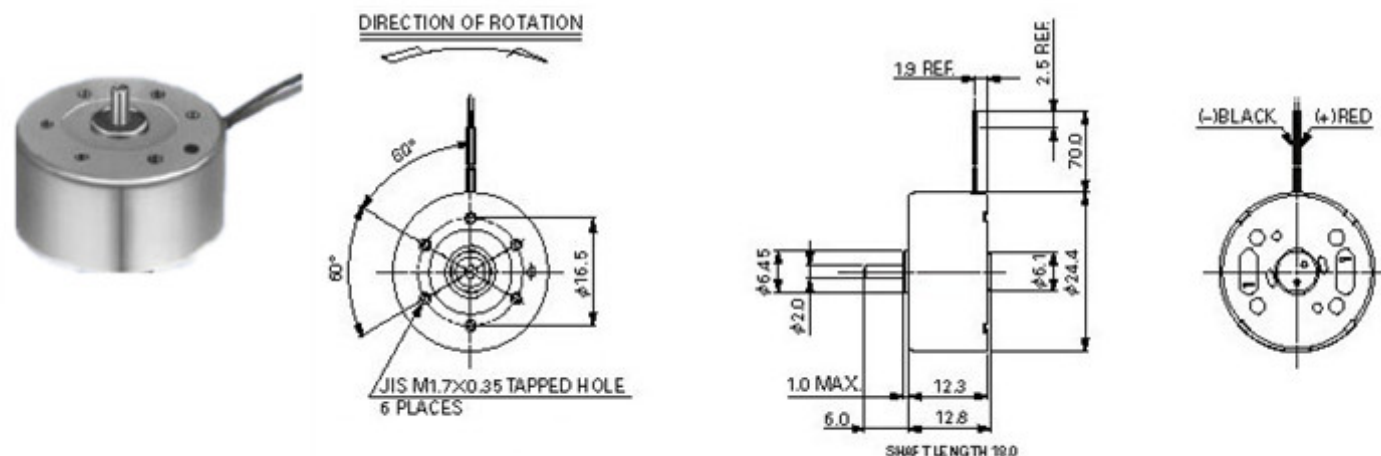
Audio and Visual Equipment: Car CD Player/ DVD Player

典型應用

光學設備: CD/ DVD-ROM 驅動

音影設備: 汽車CD播放器/ DVD 播放器

Outline Drawing/外形圖



RF-300 Series /RF-300 系列	Model/型號	RF-300-1D390
---------------------------------	----------	--------------

Motor data (25℃)/ 運行參數 (25℃)

1 Operating Voltage/工作電壓	Volt	1.6-6.5
2 Nominal voltage/額定電壓	Volt	2
3 No-Load speed/ 空載轉速	rpm	2,200
4 No-Load current/空載電流	mA	15.0

At max. efficiency/最大效率點

1 Current/電流	mA	52
2 Torque/轉矩	mNm	0.27
3 Speed/轉速	rpm	1,710
4 Output /功率	W	0.05

Stall/堵轉

1 Torque/轉矩	mNm	1.22
3 Current/電流	mA	180

Additional information/其它相關信息

- Motor parameters can be made according to the request of customer/馬達參數可根據客人要求制作



Z. X. D Technology Company Limited

Add: Shuibian Industrial Area, Hengli Town, Dongguan City, China

Tel: 86-769-82927257, ext: 611, 613

Website: <http://www.zxd-motor.com>

Fax: 86-769-82927259

Email: jeff@zxd-motor.com