

DC micro motor RS540 / 直流微馬達 RS540

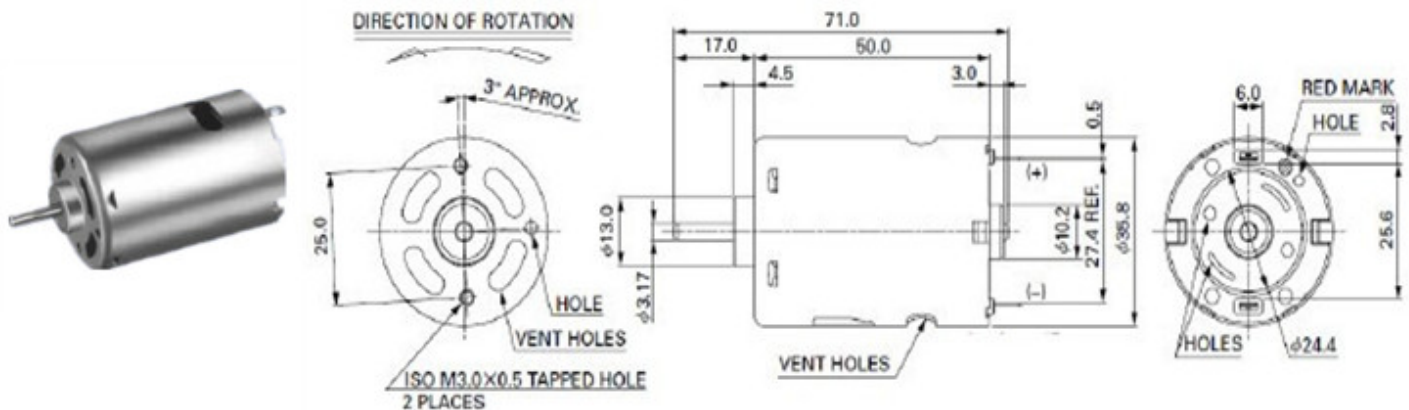
Carbon Brush / 碳刷

Typical Applications Home Appliance: Vacuum Cleaner
 Cordless Power Tools: Drill/ Screwdriver/ Cordless Garden Tool/ Air Compressor
 Toys and Models: Radio Control Model

典型應用

家用電器：吸塵器
 無繩工具：電鑽/ 電動螺絲刀/ 無繩花園工具/ 空氣壓縮機
 玩具與模型：遙控模型

Outline Drawing/外形圖



RS540 Series / RS540 系列	Model/型號	RS-540-6530	RS-540-7522	RS-540-7520
Motor data (25°C)/ 運行參數 (25°C)				
1 Operating Voltage/工作電壓	Volt	3.6-6.0	3.6-4.8	4.8-7.2
2 Nominal voltage/額定電壓	Volt	6	4.8	7.2
3 No-Load speed/ 空載轉速	rpm	19,200	20,200	23,400
4 No-Load current/空載電流	A	1.3	1.9	2.4
At max. efficiency/最大效率點				
1 Current/電流	A	6.45	8.5	13
2 Torque/轉矩	mNm	15.10	14.30	30.60
3 Speed/轉速	rpm	15,980	16,510	19,740
4 Output/功率	W	25.30	24.80	63.20
Stall/堵轉				
1 Torque/轉矩	mNm	90.30	78.50	196.00
3 Current/電流	A	32	38	70

Additional information/其它相關信息

- Motor parameters can be made according to the request of customer/馬達參數可根據客人要求制作



Z. X. D Technology Company Limited

Add: Shuibian Industrial Area, Hengli Town, Dongguan City, China

Tel: 86-769-82927257, ext: 611, 613

Website: <http://www.zxd-motor.com>

Fax: 86-769-82927259

Email: jeff@zxd-motor.com