

## DC Axial Fans: 200mm x 70mm

Weight: 1.76kg

Impeller: Plastic PA6.6(polyamide glass-fibre

reinforced) Motor: DC brushless external rotor Motor

Rotor: Black paint

Lead Wire: AWG#20 UL 1007

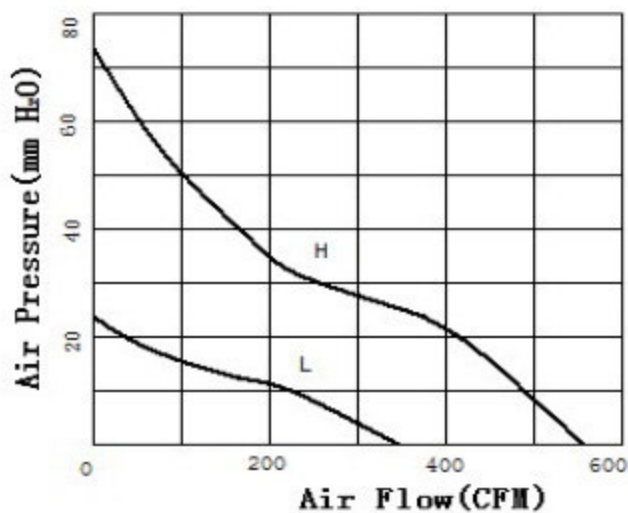
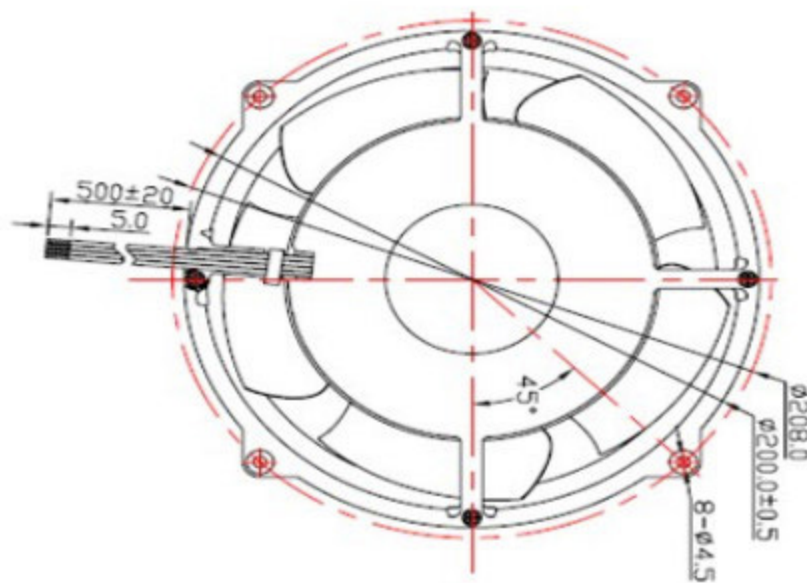
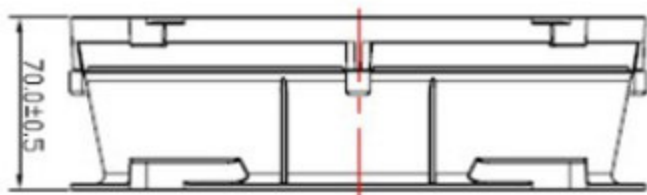
Insulation: Class A

Safety: UL,CE

Operation Temperature:-25°C~+65°C

### Details

Listed Model	Bearing System	Rated Voltage	Operation Voltage	Rated Current	Rated Speed	Air Flow	Air pressure	Noise Level	Available Features (Optional)		
									Tachometer Output	Autorestart	Pulse Width Modulation
Part NO.	B / S / F	VDC	VDC	A	RPM	CFM	mmH2O	dBA			
F4820070HB2M	BALL	48	36~56	2.3	4,600	550	72.4	85	•	•	•
F4820070LB2M	BALL	48	36~56	0.75	2,900	335	21.9	58	•	•	•
F2420070HB2M	BALL	24	16~28	4.5	4,600	550	72.4	85	•	•	•



### Wiring Diagram

Red----- + VDC

Blue----- GND

Yellow-----0~10V/PWM Speed Control

White-----Tachometer(FG)